

winflow

winHood | c1



WinHood-C1 has primarily been designed for centralized systems of exhaust ventilation in multi apartment buildings. Because of the connection size of the hood, it's functional in decentralized ventilation systems also if pressure level in duct system is sufficient.

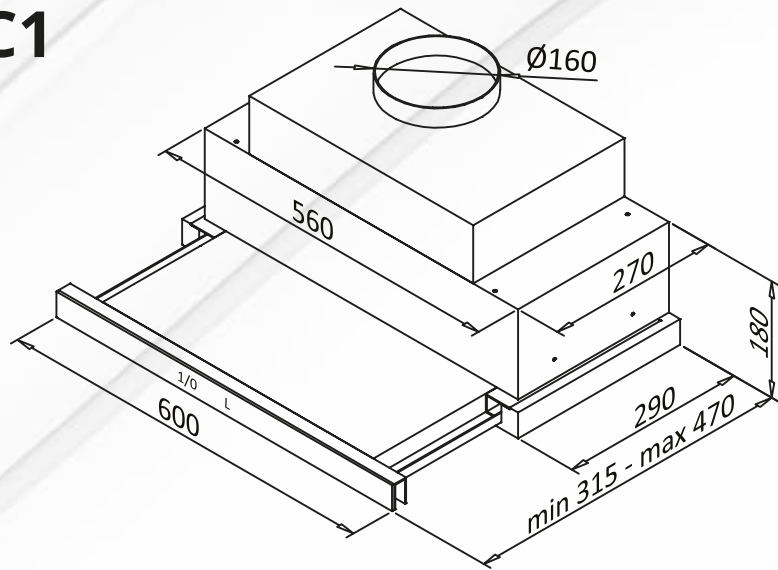
The C1 is part of the Winflow's design hood- collection. It is the model to be integrated in kitchen a cabinet above a stove. It is visually pretentious, combining painted metal and same colored glass in front. C1 is available in black and white.

Interface of the hood is glass surfaced and it responses to with touch. It includes electrically functioning open-close-mechanism. It closes manually with a touch switch. Light-function operates similarly. The C1 is available as module sized 600 mm wide.

winflow

winHood | C1

Main dimensions:



C1 600

WinHood-C1 is easy to use by touch panel in front. In addition to mentioned functions the blade mechanism closes automatically when sliding part is pushed in.

Installation is carried out by fastening with screws to the wall and cabinet side frames on both sides. There is not any separate rack; Installation is easy to make using key shaped fastening holes in back of frame.

- The C1 can be connected to duct system with sealed connector with diameter of 160 mm. When connecting to a smaller duct reduction piece must be used.
- The C1 has schuko-type connecting plug acting also as main switch.
- Grease filters are easy to remove, when sliding part is in open-position. Filters are washed with water.

WinHood-C1-600 pressure drop:

Ordering codes:

WinHood-C1-600-B (Black)

WinHood-C1-600-W (White)

LVI-number 600-B: 7921607

LVI-number 600-W: 7921608

More information: info@winflow.fi

