

winflow

winHood | w1



WinHood-W1 has primarily been designed for centralized systems of exhaust ventilation in multi apartment buildings. Because of the connection size of the hood, it can be used in decentralized ventilation systems also if pressure level in duct system is sufficient.

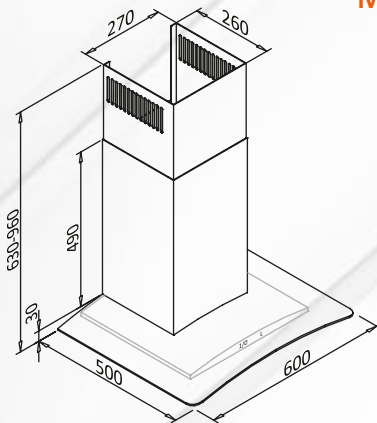
The W1 is part of the Winflow's design hood- collection. It is visually elegant and light looking, combining stainless steel and bended glass. W1 is also very user friendly and easy to install on the wall.

Interface of the hood is stainless steel being resistant against cooking circumstances. It includes electrically functioning open-close-mechanism used with a button. Status of the hood is shown by led. Light-function operates similarly. W1 is available with two sizes; 600 and 900 mm wide.

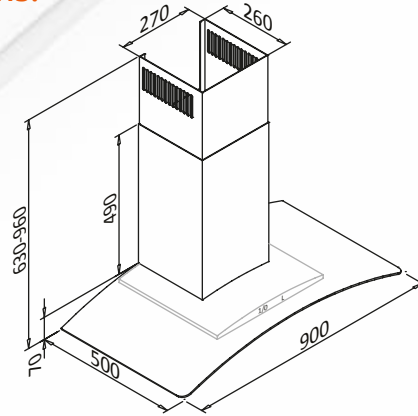
winflow

winHood | w1

Main dimensions:



W1 600



W1 900

WinHood-W1 is simple and rapidly mountable hood. Its package includes the rack for wall installation, in which the hood is lifted and locked with screw.

- The W1 can be connected to duct system with sealed connector with diameter of 160 mm.
- When connecting to a smaller duct reduction piece must be used.
- W1 is equipped with covering parts functioning telescopically according to the height.
- The W1 has schuko-type connecting plug acting also as main switch.

Grease filters are easy to remove and wash.

WinHood-W1-600 pressure drop:

Ordering codes:

WinHood-W1-600

WinHood-W1-900

LVI-number 600: 7921600

LVI-number 900: 7921601

More information:

info@winflow.fi

